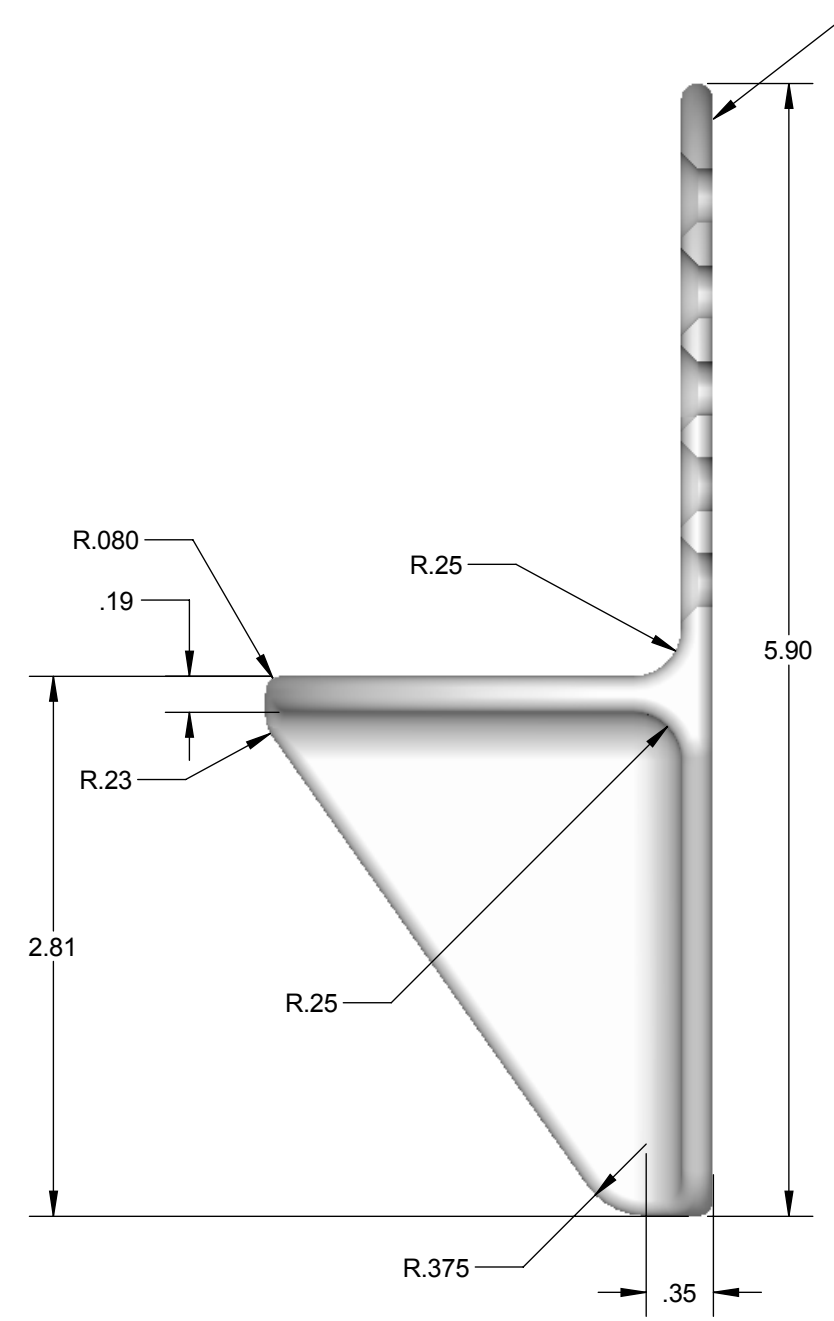
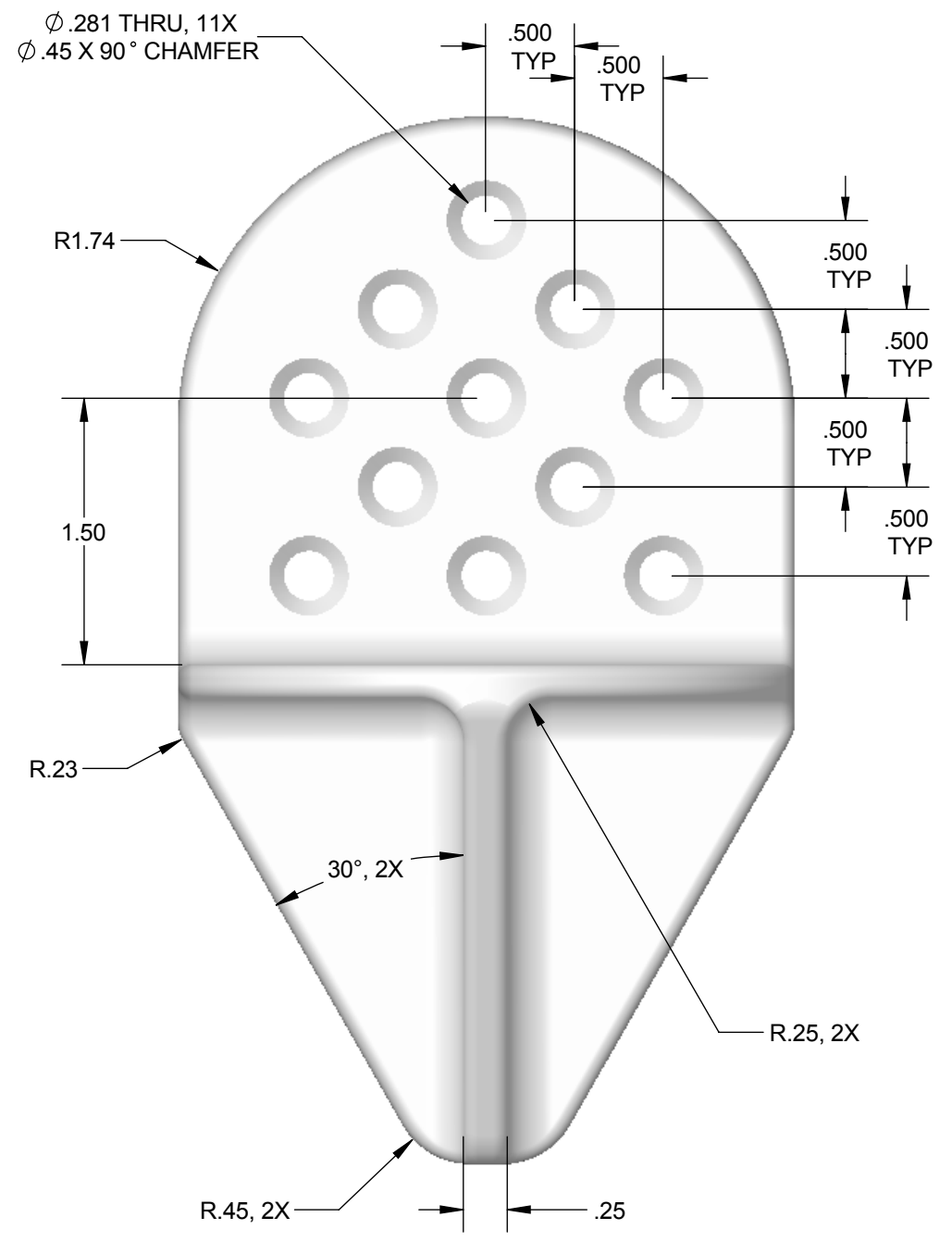
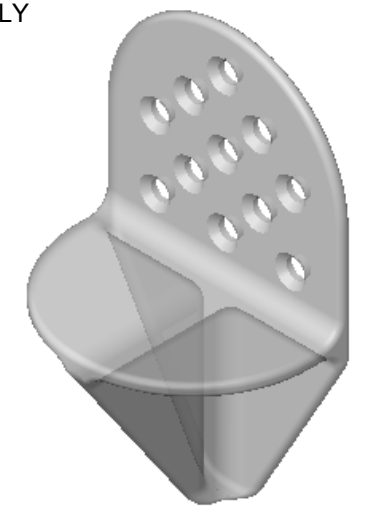


8 7 6 5 4 3 2 1

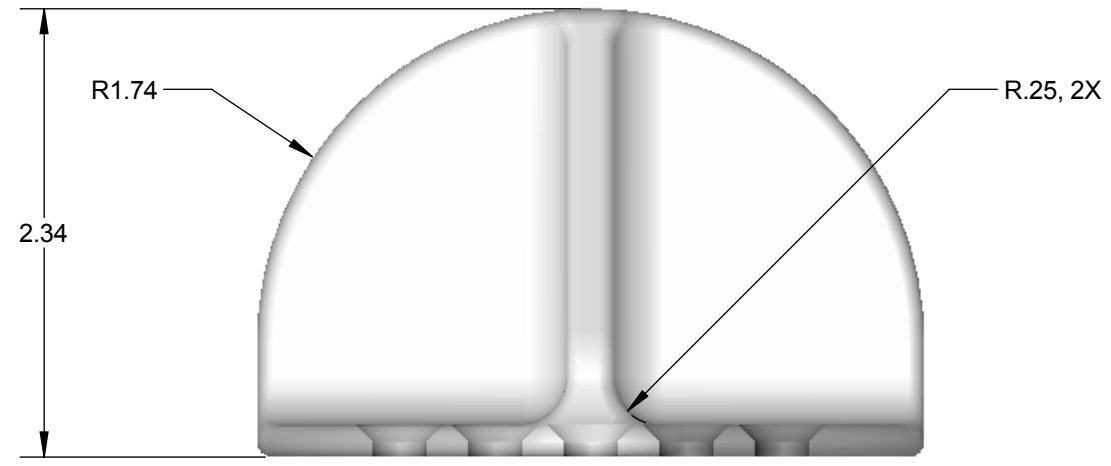
D
C
B
A



PEBBLE TEXTURE
THIS SURFACE ONLY



ISOMETRIC VIEW
SCALE: 1:2



PROPRIETARY AND CONFIDENTIAL
 THE INFORMATION CONTAINED IN THIS
 DRAWING IS THE SOLE PROPERTY OF
 CHEM LINK PRODUCTS, LLC. ANY
 REPRODUCTION IN PART OR AS A WHOLE
 WITHOUT THE WRITTEN PERMISSION OF
 CHEM LINK PRODUCTS, LLC IS PROHIBITED.

		UNLESS OTHERWISE SPECIFIED:		NAME	DATE	CHEM LINK Products, LLC	
		DIMENSIONS ARE IN INCHES TOLERANCES:		DRAWN	MJR	9/9/11	TITLE: Support
		ANGULAR: MACH $\pm 3^\circ$ TWO PLACE DECIMAL $\pm .030$ THREE PLACE DECIMAL $\pm .010$		CHECKED			
		INTERPRET GEOMETRIC TOLERANCING PER: ASME Y14.5		ENG APPR.			
		MATERIAL		MFG APPR.			
NEXT ASSY	USED ON	FINISH		Q.A.			SIZE DWG. NO.
APPLICATION		DO NOT SCALE DRAWING		COMMENTS:			B Support
							REV
							--
							SCALE: 1:1
							WEIGHT:
							SHEET 1 OF 1

8 7 6 5 4 3 2 1